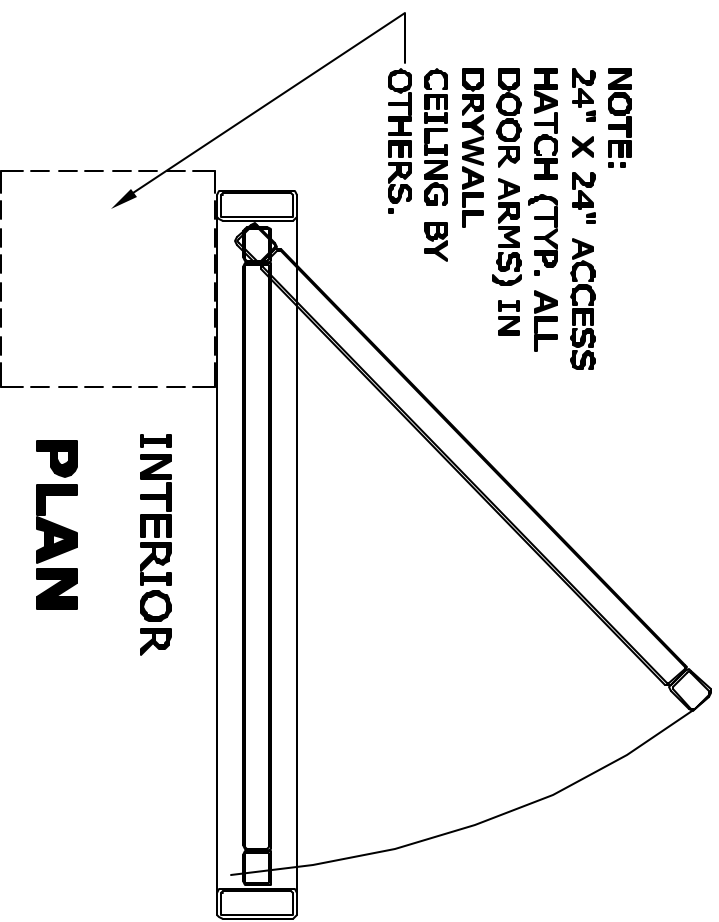


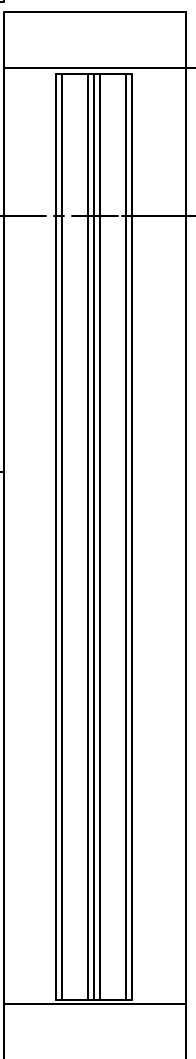
**NOTE:**  
24" X 24" ACCESS  
HATCH (TYP. ALL  
DOOR ARMS) IN  
DRYWALL  
CEILINGING BY  
OTHERS.



2 PIECE ACCESS TRIM PLATE  
FOR SINGLE SWING H88  
BOTTOM LOAD OPERATOR.

HEADER TO BE SIZE OF FRAME OPENING

2 3/4" C/L PIVOT



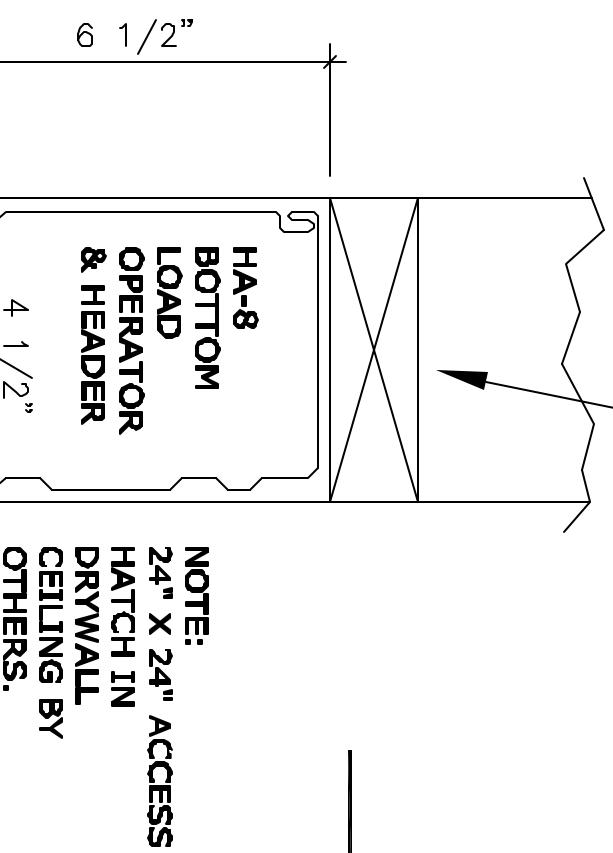
## HORIZONTAL SECTION

INTERIOR

24" TYP. LENGTH

2 1/4" TYPICAL ACCESS WIDTH

SUPPORT OR  
REINFORCEMENT  
BY OTHERS



HA-8  
BOTTOM  
LOAD  
OPERATOR  
& HEADER  
4 1/2"

**NOTE:**  
24" X 24" ACCESS  
HATCH IN  
DRYWALL  
CEILING BY  
OTHERS.

**NOTE:**  
HINGE SIDE  
TOP RAIL  
NEEDS CUT  
OUT ON BACK  
OF DOOR

## VERTICAL SECTION

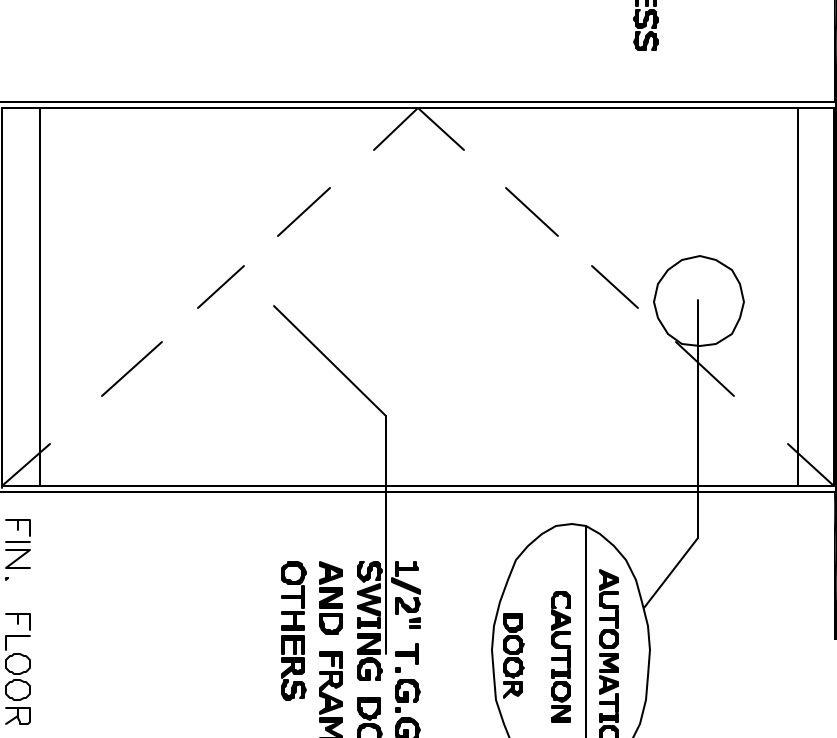
120V AC. 60HZ. 15A.  
BY ELEC.  
CONTRACTOR

BOTTOM LOAD HEADER

CEILING LEVEL

AUTOMATIC  
CAUTION  
DOOR

1/2" T.G.GLASS  
SWING DOORS  
AND FRAMES BY  
OTHERS



## ELEVATION

FIN. FLOOR

**NOTE:** HUNTER BOTTOM LOAD OPERATOR

AUTOMATIC SWING DOOR OPERATOR SHALL BE "H88" CETL USA  
APPROVED, CONFORMING TO UL STD. 325 & ANSI-BHNA STD. A156.19  
CERTIFIED TO CAN. CSA STD. C22.2#247 AS MANUFACTURED BY HUNTER  
AUTOMATICS INC.  
32" CLEAR OPENING REQUIRED TO MEET ADA REQUIREMENT.

STANDARD FINISH: CLEAR ANODIZE, DARK BRONZE, LIGHT BRONZE  
SPECIAL FINISHES ARE AVAILABLE

JOB NAME:

LOCATION:

DOOR NUMBER:

SHEET NO.

1

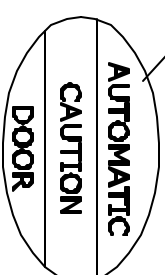
OF

1

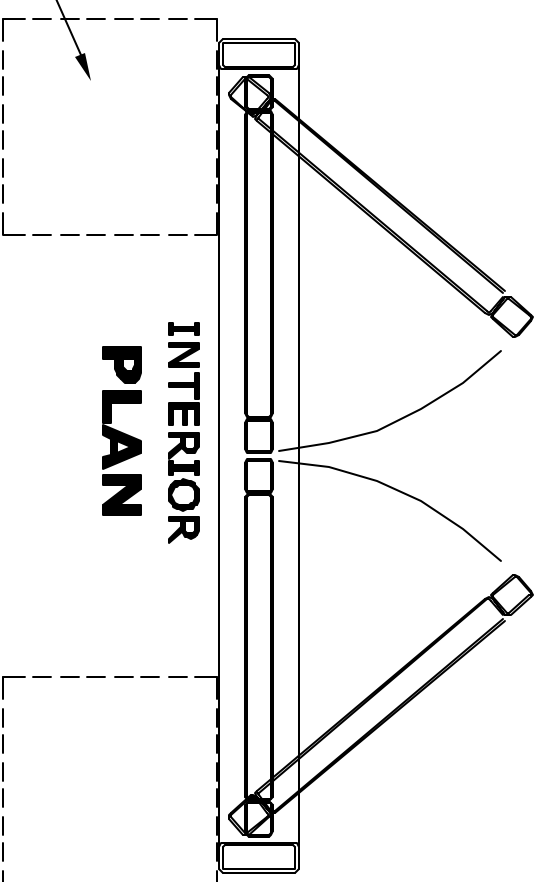
120V AC, 60HZ, 15A.  
CONTROLS BY ELEC. CONTRACTOR

BOTTOM LOAD HEADER

CEILING LEVEL



NOTE:  
24" X 24" ACCESS  
HATCH (TYP. ALL  
DOOR ARMS) IN  
DRYWALL  
CEILING BY  
OTHERS.



**INTERIOR  
PLAN**

SUPPORT OR  
REINFORCEMENT  
BY OTHERS

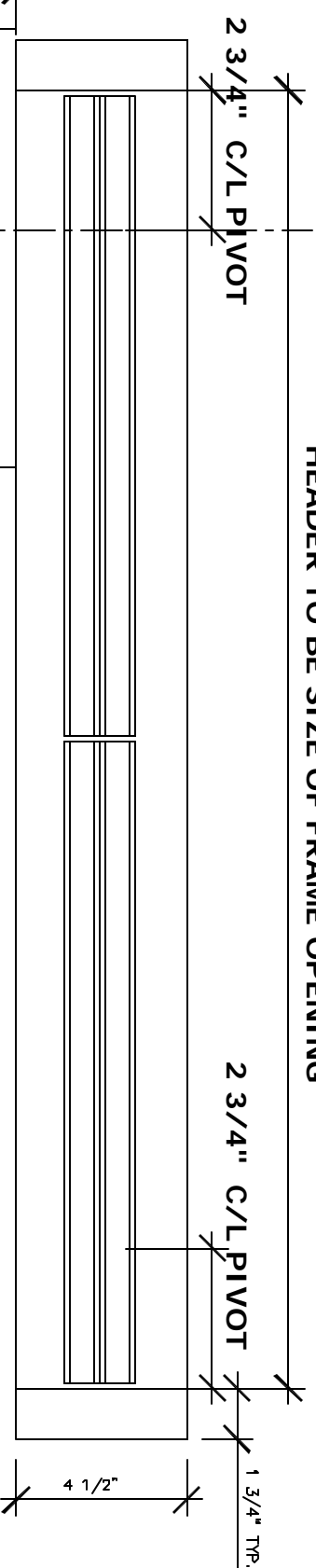
1/2" T.G. GLASS  
SWING DOORS  
AND FRAMES BY  
OTHERS

3 PIECE ACCESS TRIM PLATE  
FOR DUAL SWING HA8  
BOTTOM LOAD OPERATOR.

FIN. FLOOR

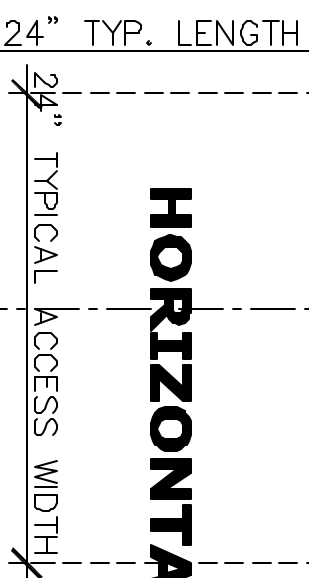
**ELEVATION**

HEADER TO BE SIZE OF FRAME OPENING



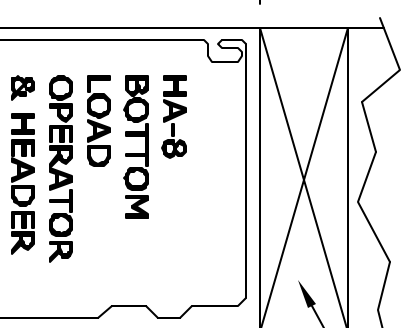
INTERIOR

**HORIZONTAL SECTION**



NOTE: HUNTER DUAL BOTTOM LOAD OPERATOR  
AUTOMATIC SWING DOOR OPERATOR SHALL BE "HA8" CETL USA  
APPROVED, CONFORMING TO UL STD. 325 & ANSI-BHNA STD. A156.19  
CERTIFIED TO CAN. CSA STD. C22.2#247 AS MANUFACTURED BY HUNTER  
AUTOMATICS INC.  
32" CLEAR OPENING REQUIRED TO MEET ADA REQUIREMENT.  
STANDARD FINISH: CLEAR ANODIZE, DARK BRONZE, LIGHT BRONZE  
SPECIAL FINISHES ARE AVAILABLE

6 1/2"



NOTE:  
10" X 15" ACCESS  
HATCH IN  
DRYWALL  
CEILING BY  
OTHERS.

NOTE:  
HINGE SIDE  
TOP RAIL  
NEEDS CUT  
OUT ON BACK  
OF DOOR

**VERTICAL SECTION**

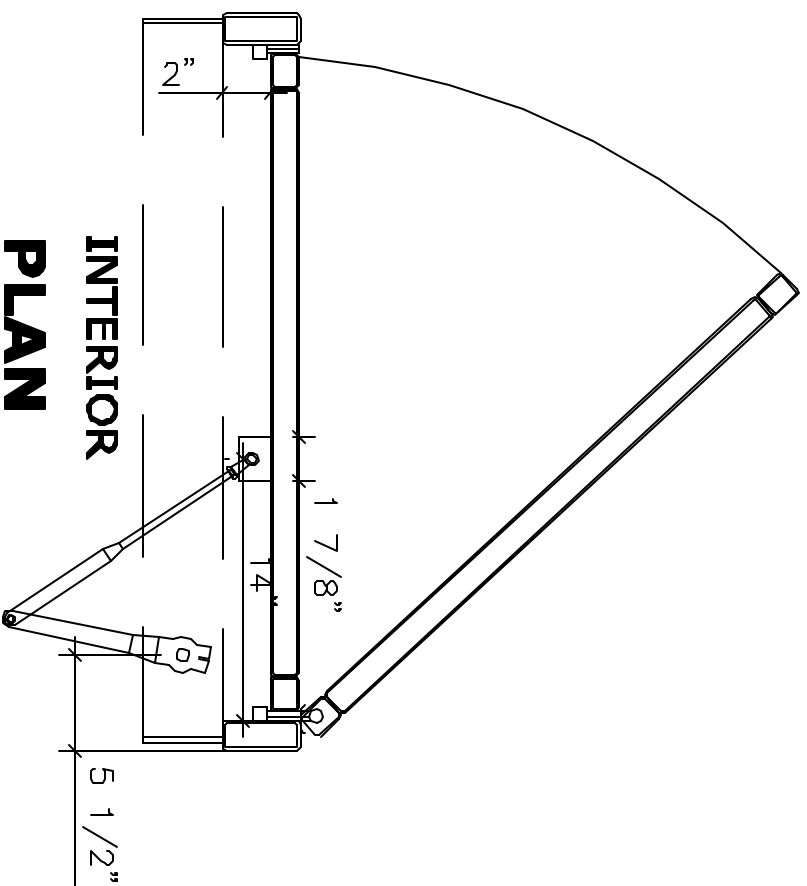
JOB NAME:

LOCATION:

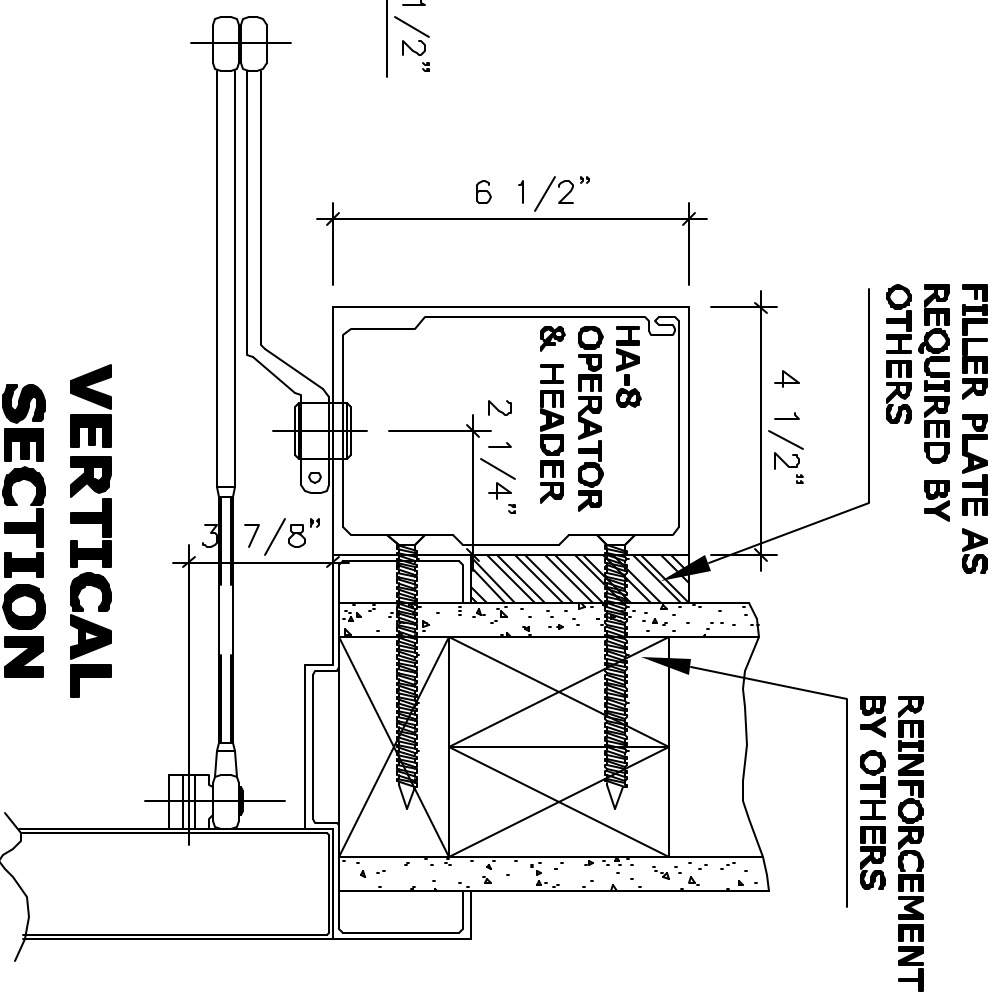
DOOR NUMBER:

SHEET NO.

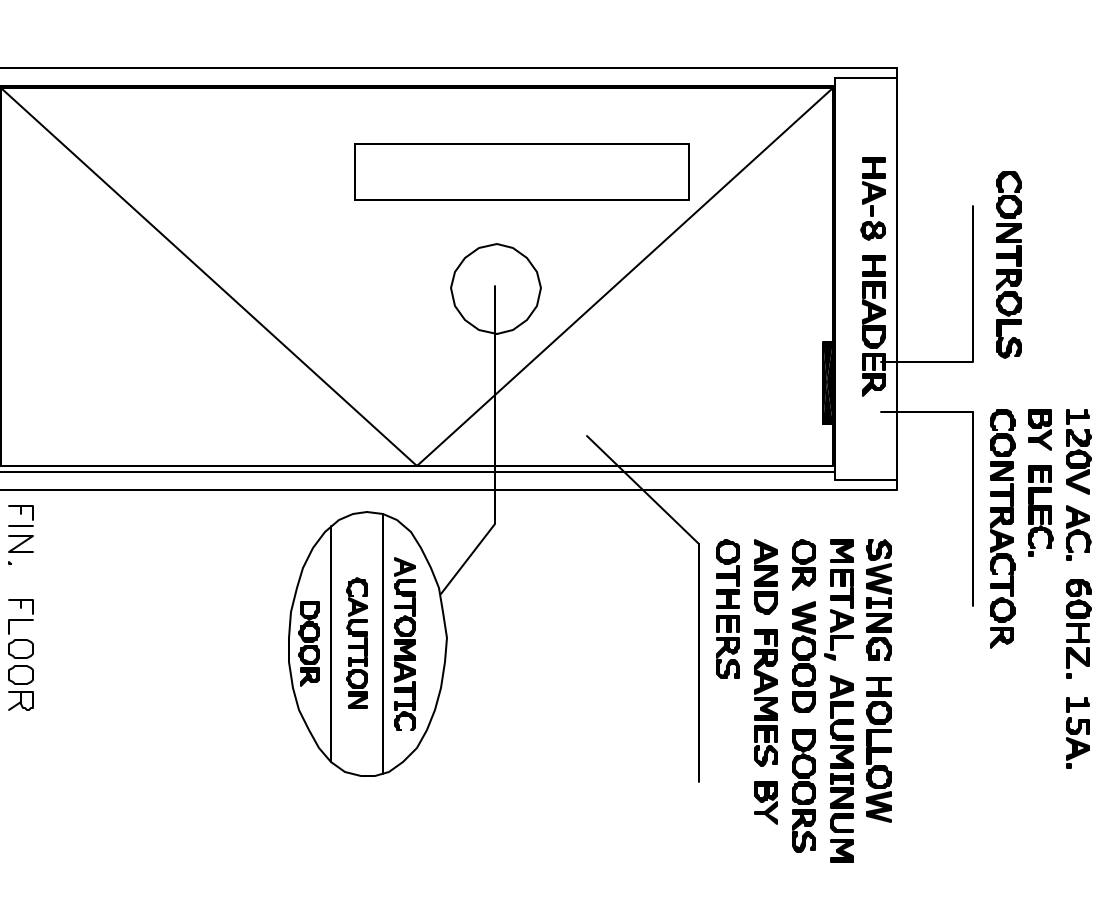
1  
OF  
1



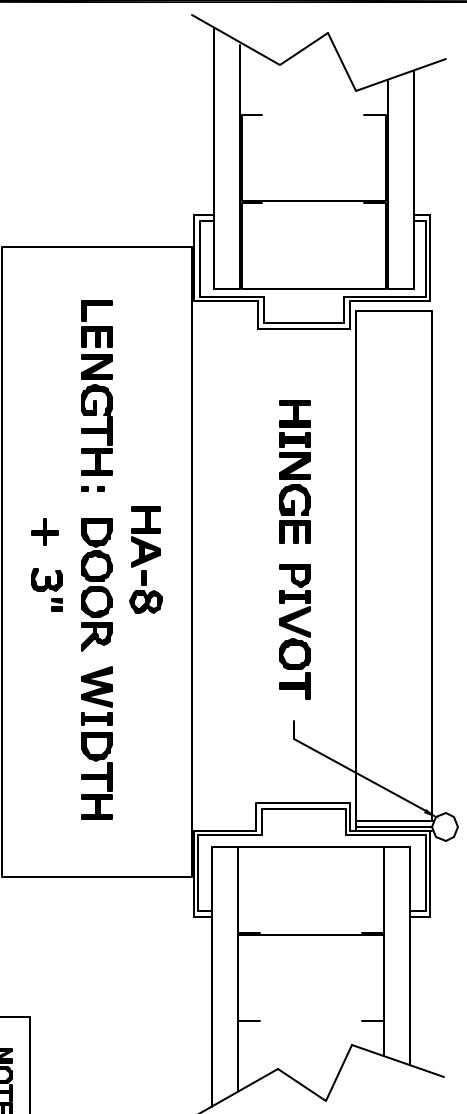
**INTERIOR  
PLAN**



**VERTICAL  
SECTION**



**ELEVATION**

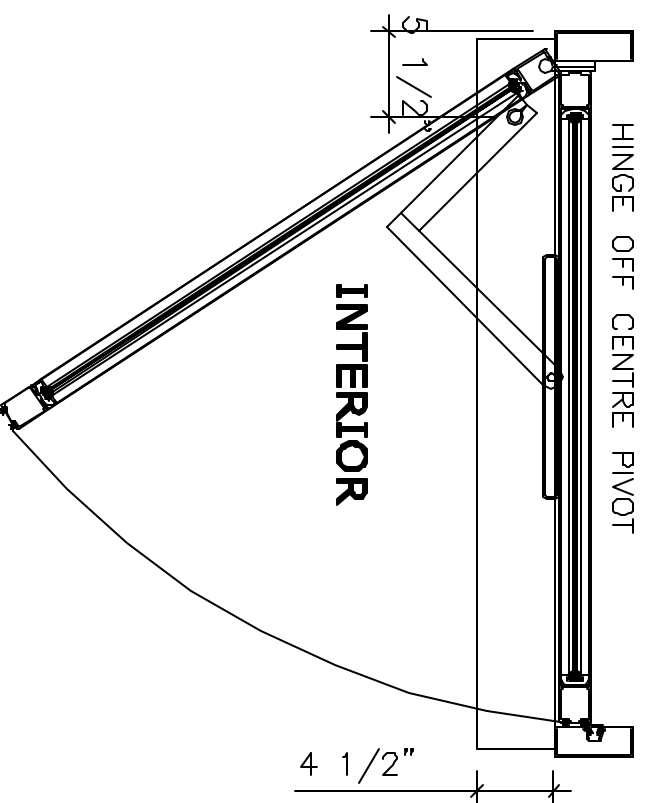


**HORIZONTAL SECTION**

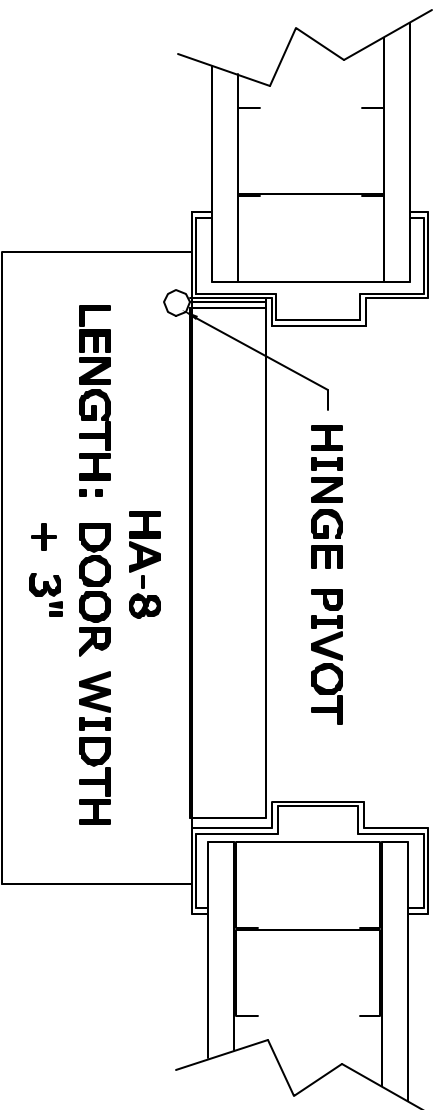
**NOTE:**  
 AUTOMATIC SWING DOOR OPERATOR SHALL BE "HAB" CETL USA APPROVED, CONFORMING TO UL STD. 325 & ANSI-BHMA STD. A156.19 CERTIFIED TO CAN. CSA STD. C22.2#247 AS MANUFACTURED BY HUNTER AUTOMATICS INC.  
 32" CLEAR OPENING REQUIRED TO MEET ADA REQUIREMENT.  
 STANDARD FINISH: CLEAR ANODIZE, DARK BRONZE, LIGHT BRONZE SPECIAL FINISHES ARE AVAILABLE

JOB NAME:	<b>P-1</b>
LOCATION:	
DOOR NUMBER:	
SHEET NO.	

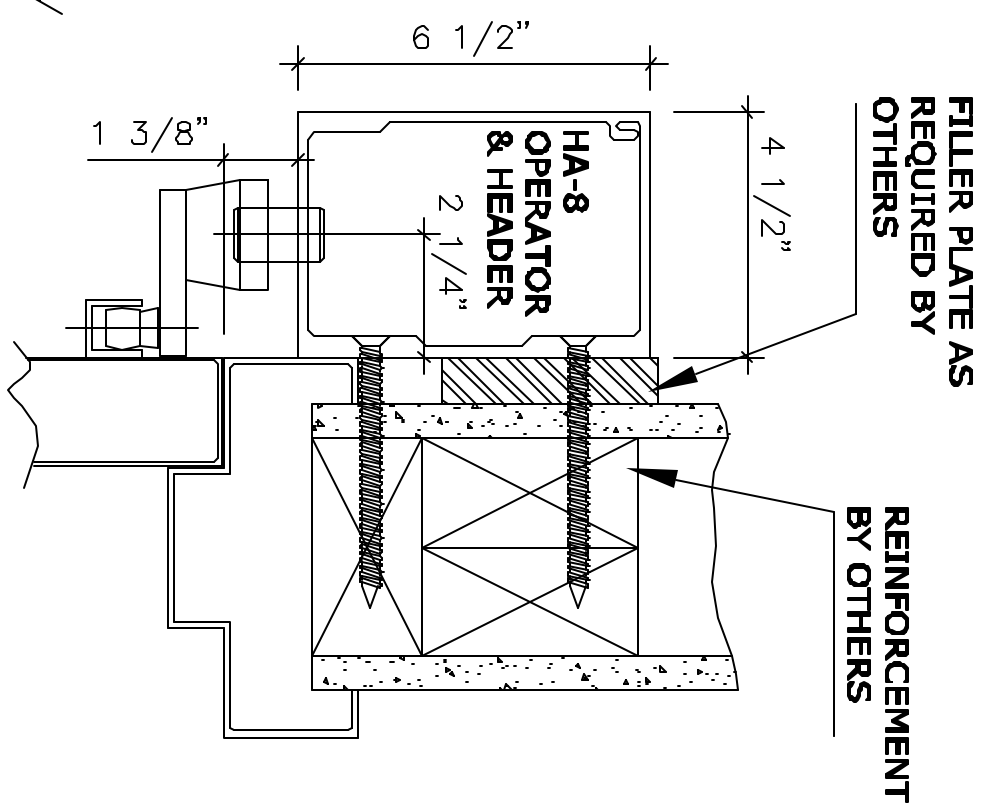




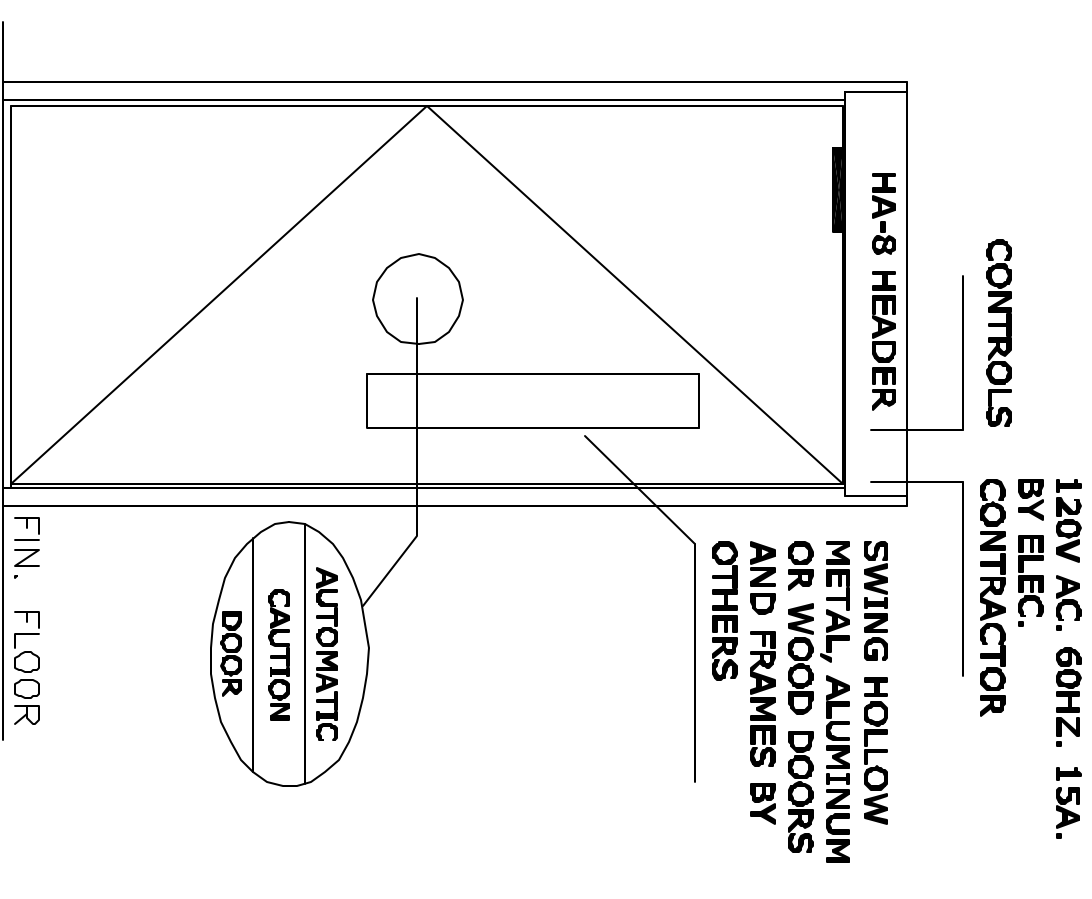
**PLAN**



**HORIZONTAL SECTION**



**VERTICAL SECTION**



**ELEVATION**

**NOTE:**

AUTOMATIC SWING DOOR OPERATOR SHALL BE "HA8" CETL USA APPROVED, CONFORMING TO UL STD. 325 & ANSI-BHNA STD. A156.19 CERTIFIED TO CAN. CSA STD. C22.2#247 AS MANUFACTURED BY HUNTER AUTOMATICS INC.  
32" CLEAR OPENING REQUIRED TO MEET ADA REQUIREMENT.

STANDARD FINISH: CLEAR ANODIZE, DARK BRONZE, LIGHT BRONZE  
SPECIAL FINISHES ARE AVAILABLE

JOB NAME:

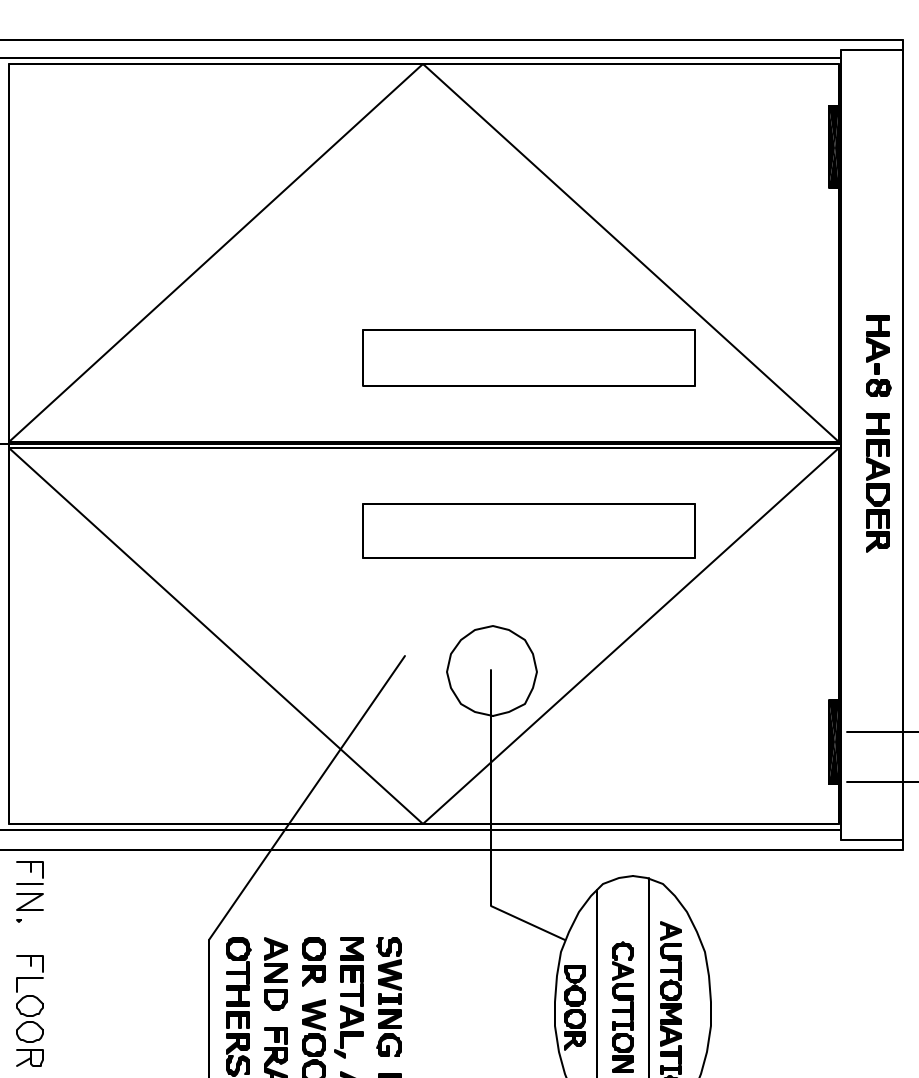
LOCATION:

DOOR NUMBER:

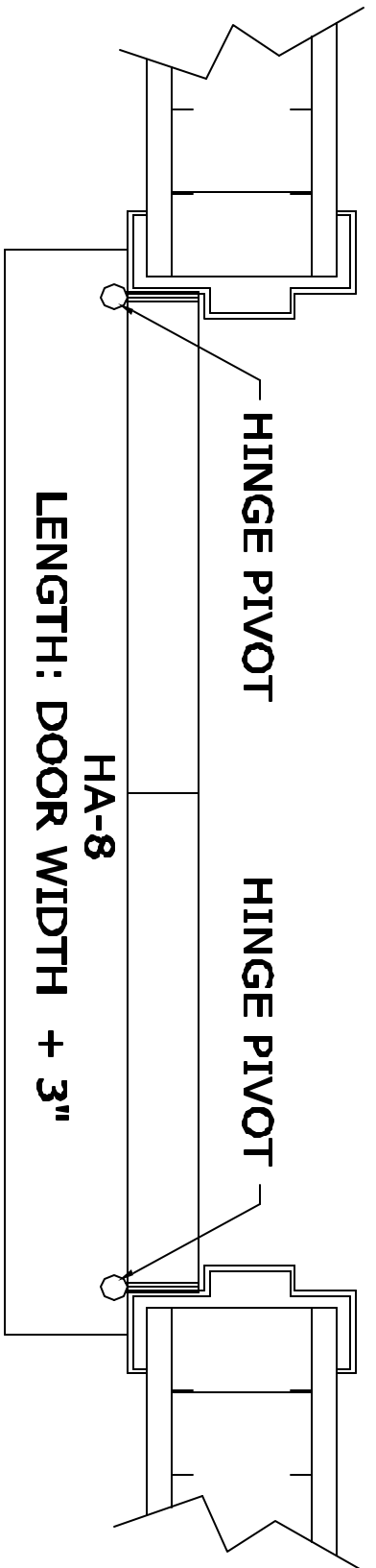
SHEET NO.

**P-4**

120V AC, 60HZ, 15A.  
 CONTROLS BY ELEC. CONTRACTOR

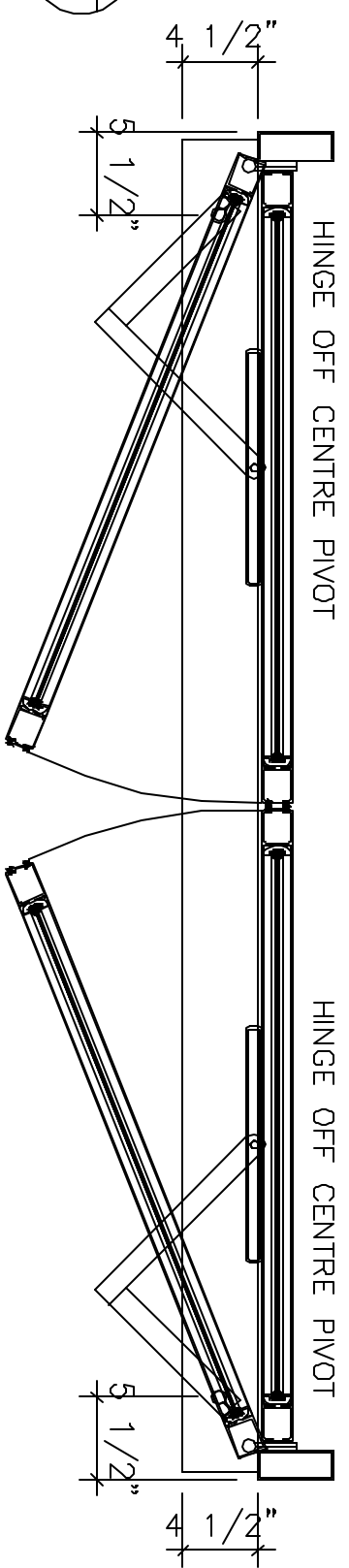


**ELEVATION**



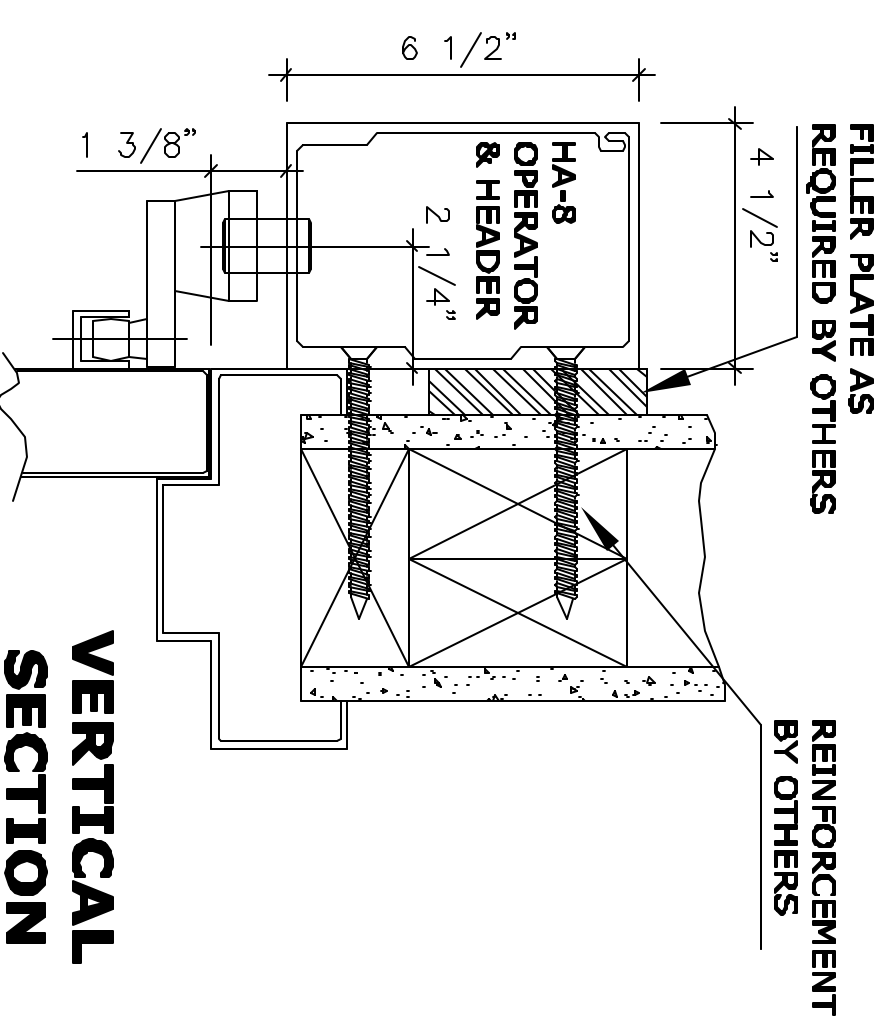
INTERIOR

**HORIZONTAL SECTION**



INTERIOR

**PLAN**



**VERTICAL SECTION**

**NOTE:**  
 AUTOMATIC SWING DOOR OPERATOR SHALL BE "HA8" CETL USA APPROVED, CONFORMING TO UL STD. 325 & ANST-BHNA STD. A156.19 CERTIFIED TO CAN. CSA STD. C22.2#247 AS MANUFACTURED BY HUNTER AUTOMATICS INC.  
 32" CLEAR OPENING REQUIRED TO MEET ADA REQUIREMENT.

STANDARD FINISH: CLEAR ANODIZE, DARK BRONZE, LIGHT BRONZE SPECIAL FINISHES ARE AVAILABLE

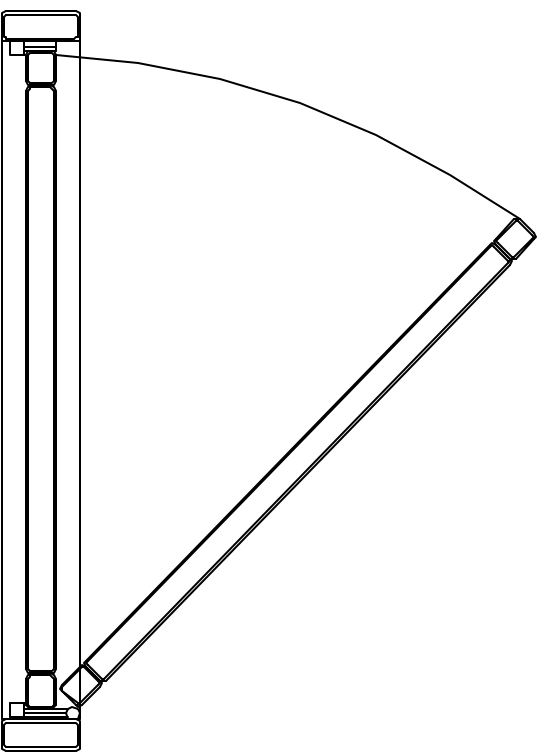
JOB NAME:

LOCATION:

DOOR NUMBER:

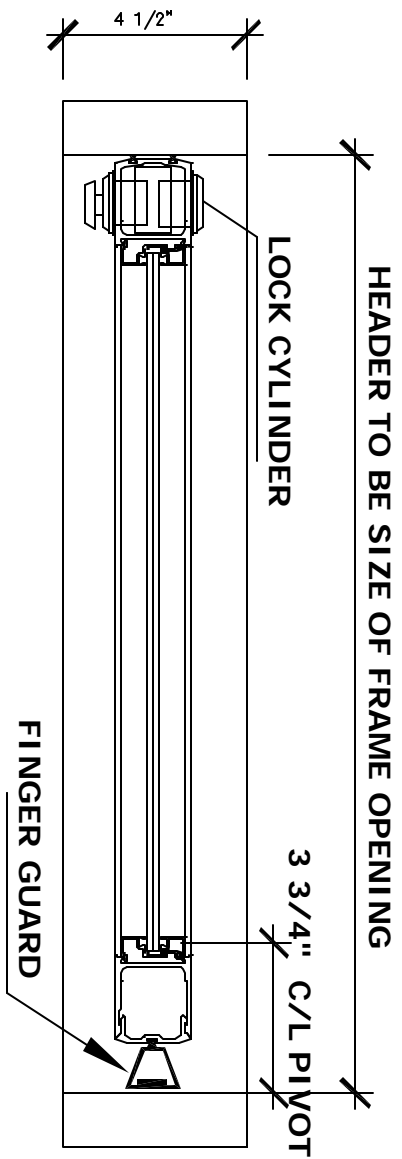
SHEET NO.

**P-6**



INTERIOR

**PLAN**

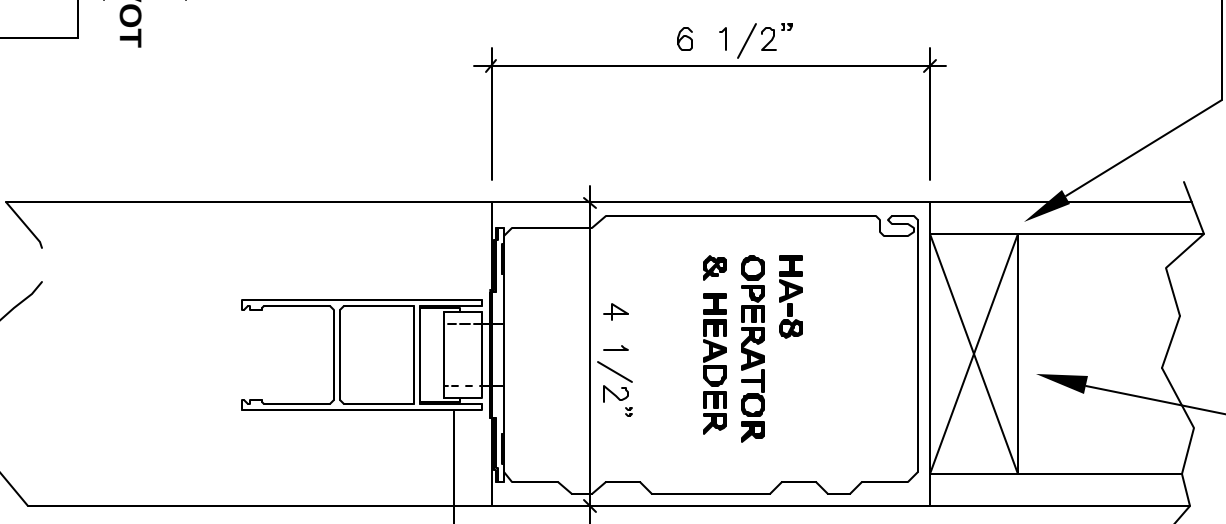


INTERIOR

**HORIZONTAL SECTION**

DRYWALL BY OTHERS

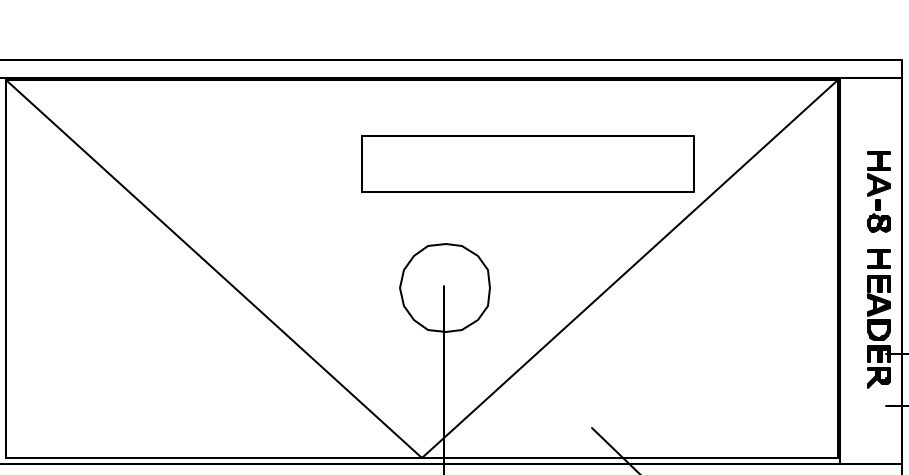
REINFORCEMENT BY OTHERS



**VERTICAL SECTION**

NOTE: HINGE SIDE TOP RAIL NEEDS CUT OUT ON BACK OF DOOR

120V AC. 60HZ. 15A. BY ELEC. CONTRACTOR



**ELEVATION**

AUTOMATIC CAUTION DOOR

NOTE: AUTOMATIC SWING DOOR OPERATOR SHALL BE "HA8" CETL USA APPROVED, CONFORMING TO UL STD. 325 & ANSI-BHNA STD. A156.19 CERTIFIED TO CAN. CSA STD. C22.2#247 AS MANUFACTURED BY HUNTER AUTOMATICS INC.  
32" CLEAR OPENING REQUIRED TO MEET ADA REQUIREMENT.

STANDARD FINISH: CLEAR ANODIZE, DARK BRONZE, LIGHT BRONZE SPECIAL FINISHES ARE AVAILABLE

JOB NAME:

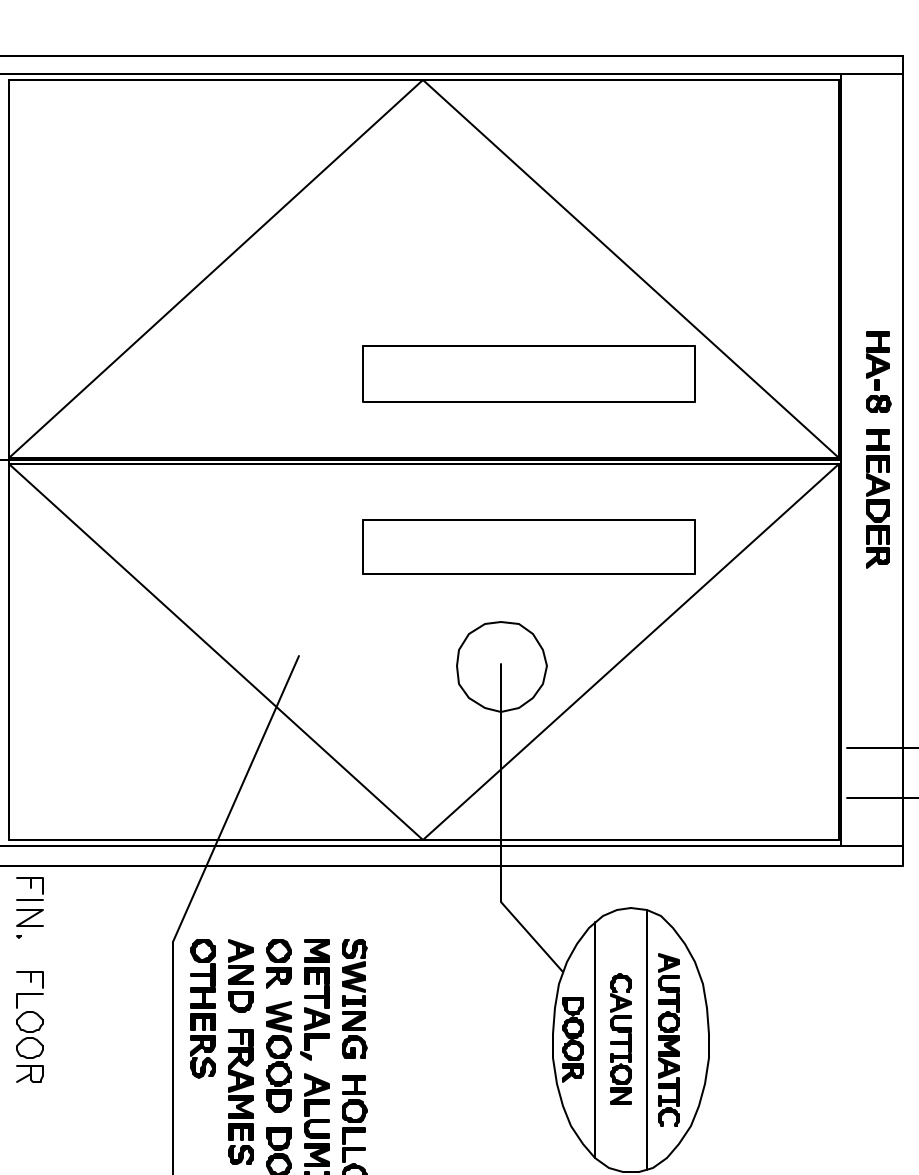
LOCATION:

DOOR NUMBER:

SHEET NO.

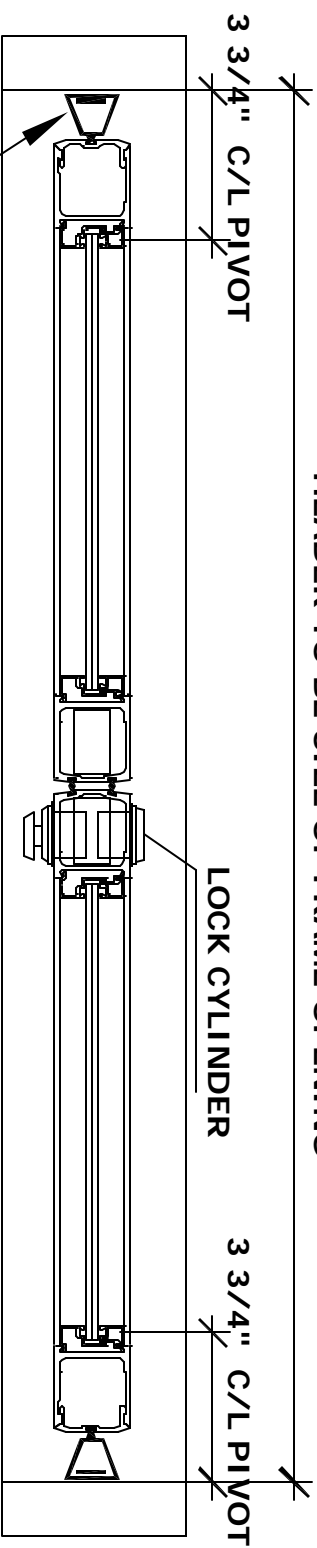
P-7

120V AC, 60HZ, 15A.  
 CONTROLS BY ELEC. CONTRACTOR



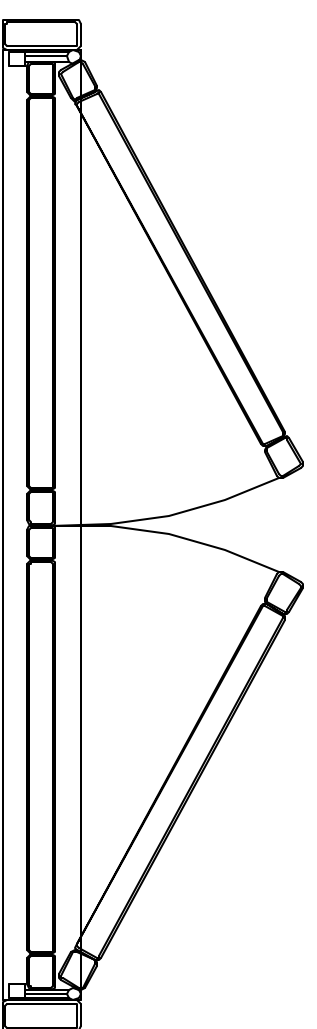
### ELEVATION

HEADER TO BE SIZE OF FRAME OPENING

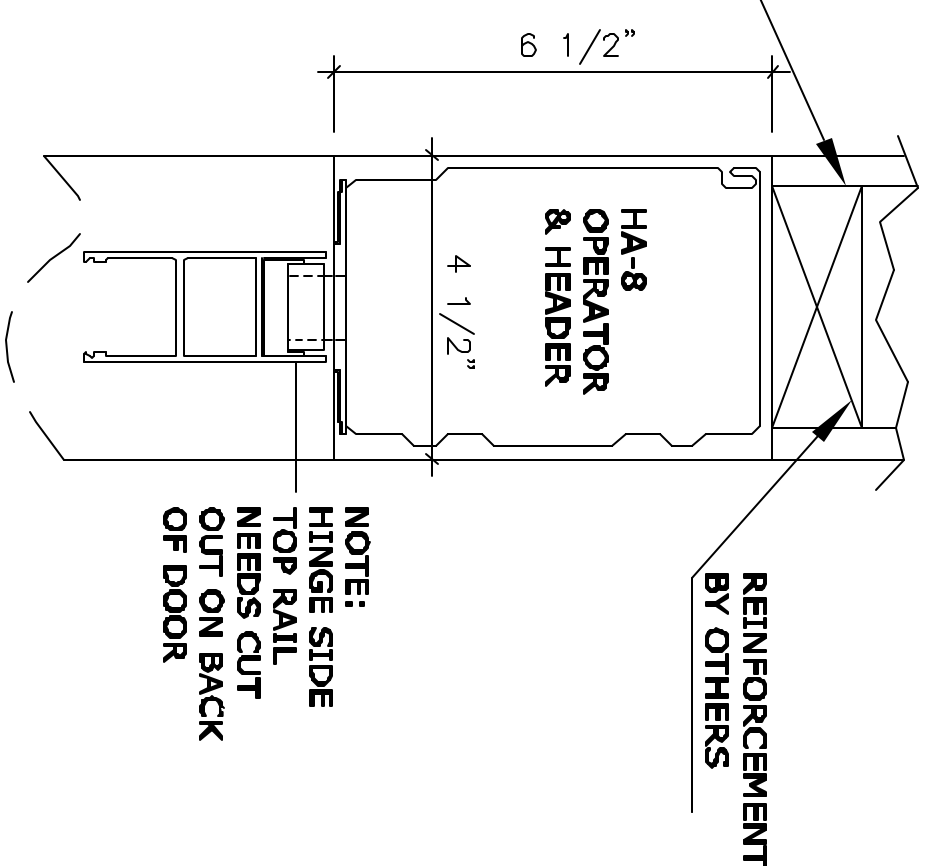


INTERIOR

### HORIZONTAL SECTION



INTERIOR  
**PLAN**



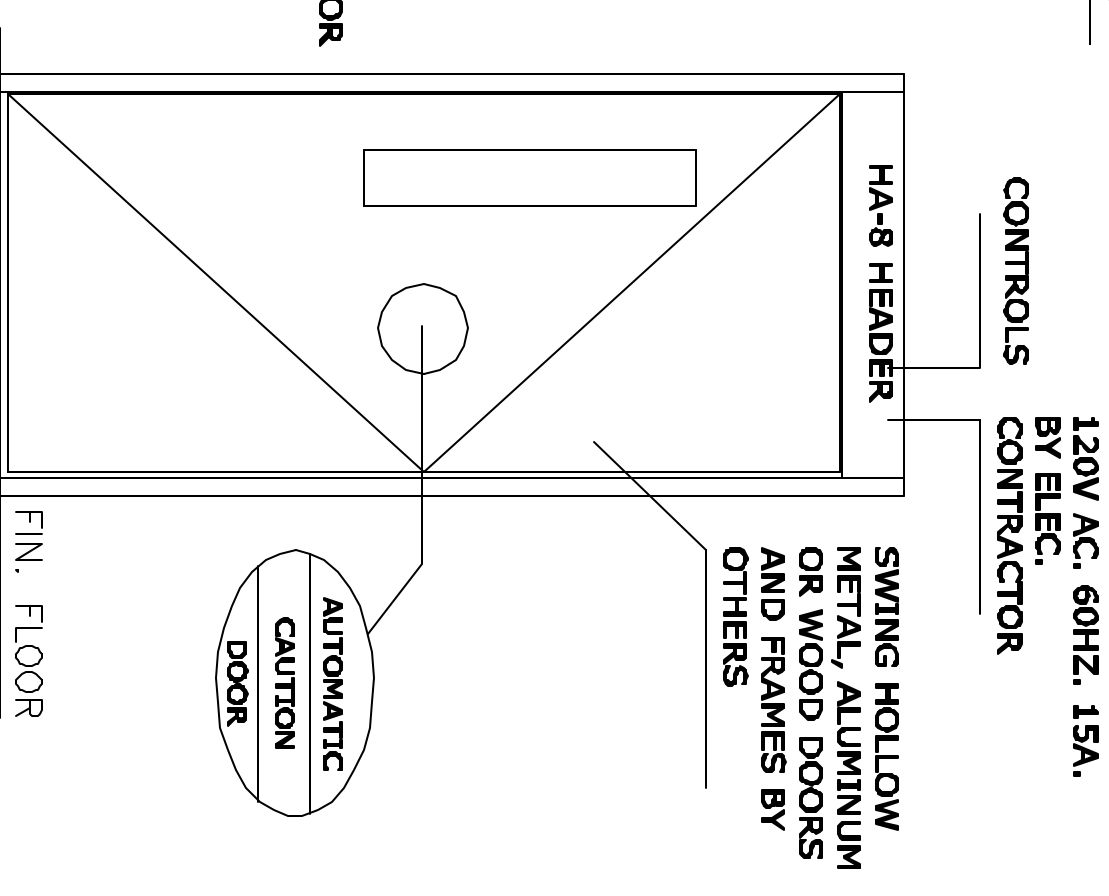
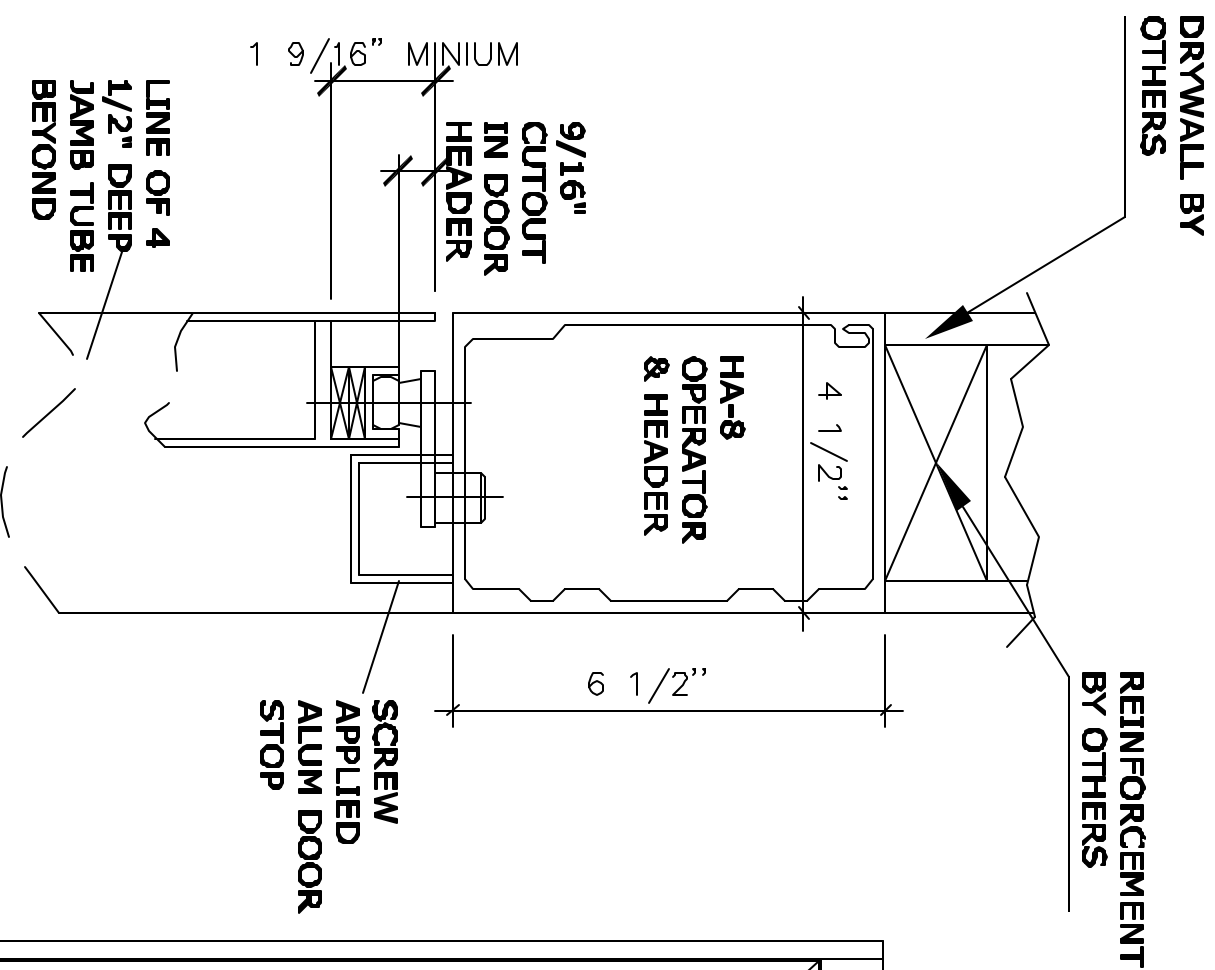
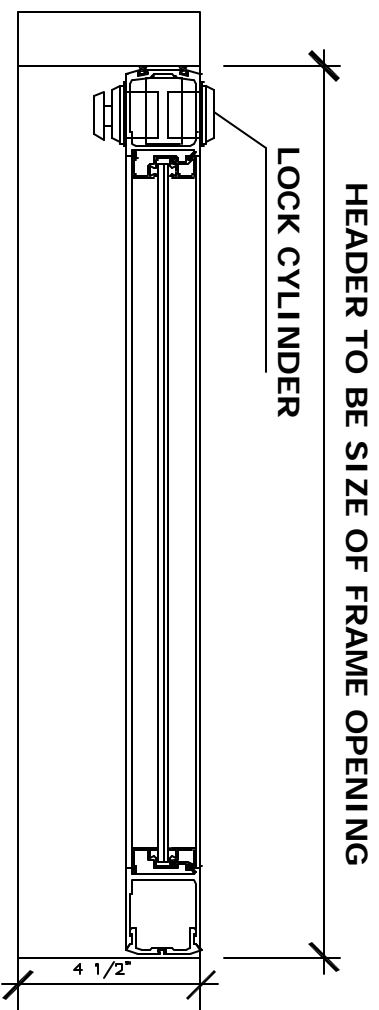
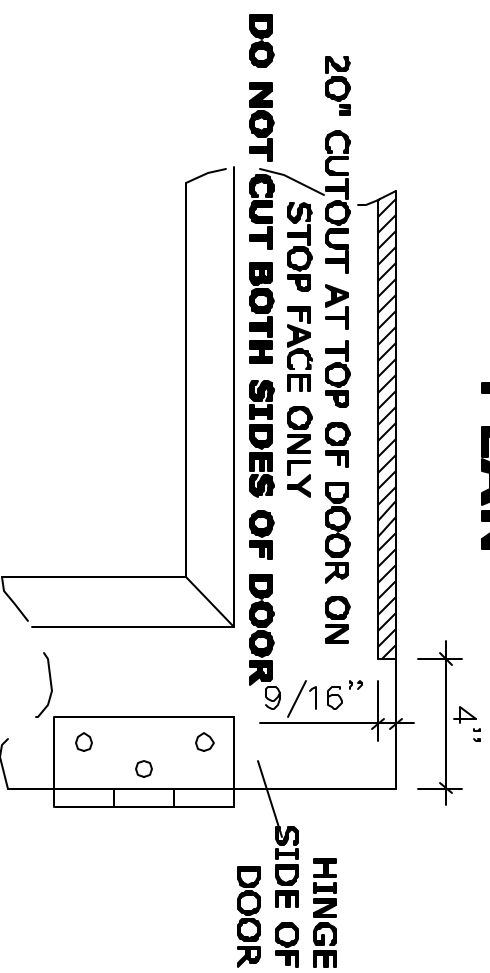
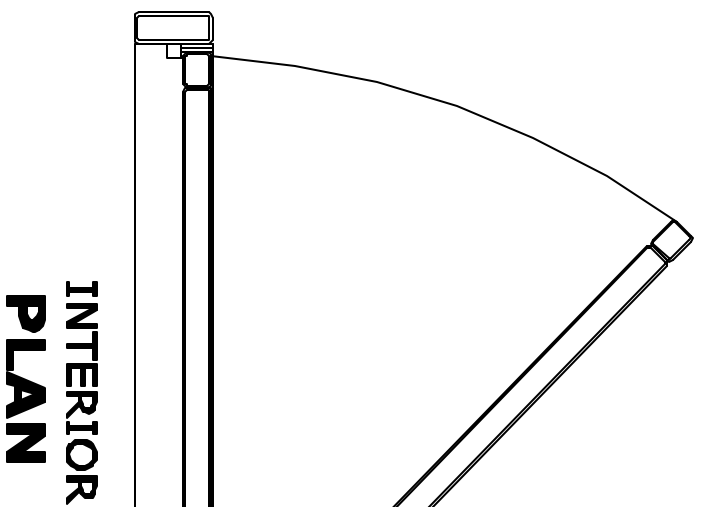
### VERTICAL SECTION

NOTE:  
 HINGE SIDE  
 TOP RAIL  
 NEEDS CUT  
 OUT ON BACK  
 OF DOOR

**NOTE:**  
 AUTOMATIC SWING DOOR OPERATOR SHALL BE "HA8" CETL USA APPROVED, CONFORMING TO UL STD. 325 & ANSI-BHNA STD. A156.19 CERTIFIED TO CAN. CSA STD. C22.2#247 AS MANUFACTURED BY HUNTER AUTOMATICS INC.  
 32" CLEAR OPENING REQUIRED TO MEET ADA REQUIREMENT.  
 STANDARD FINISH: CLEAR ANODIZE, DARK BRONZE, LIGHT BRONZE SPECIAL FINISHES ARE AVAILABLE

JOB NAME:	<b>P-9</b>
LOCATION:	
DOOR NUMBER:	

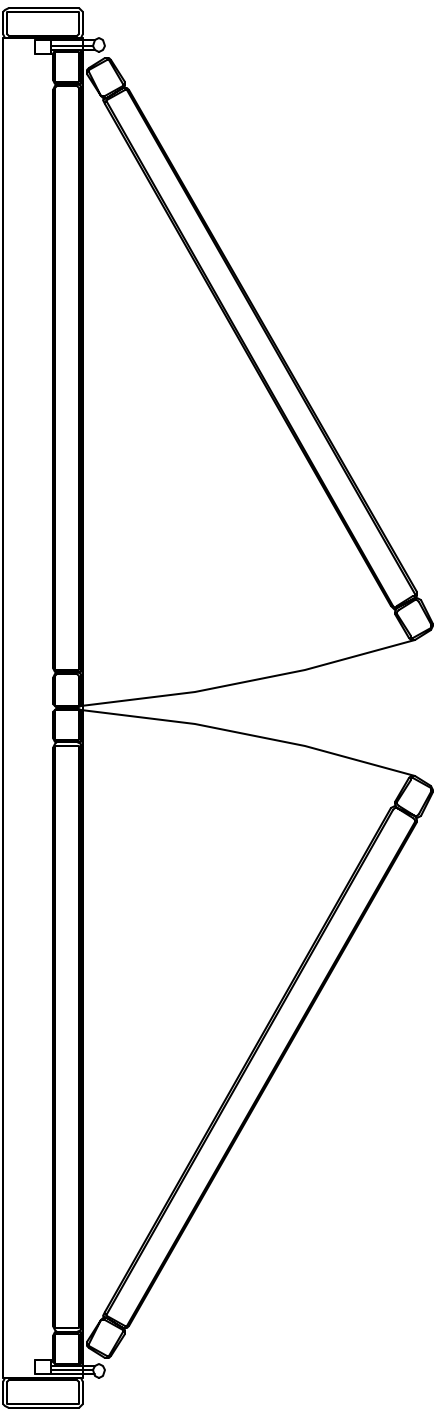
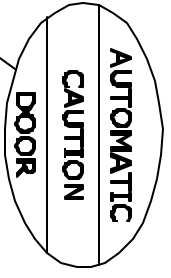
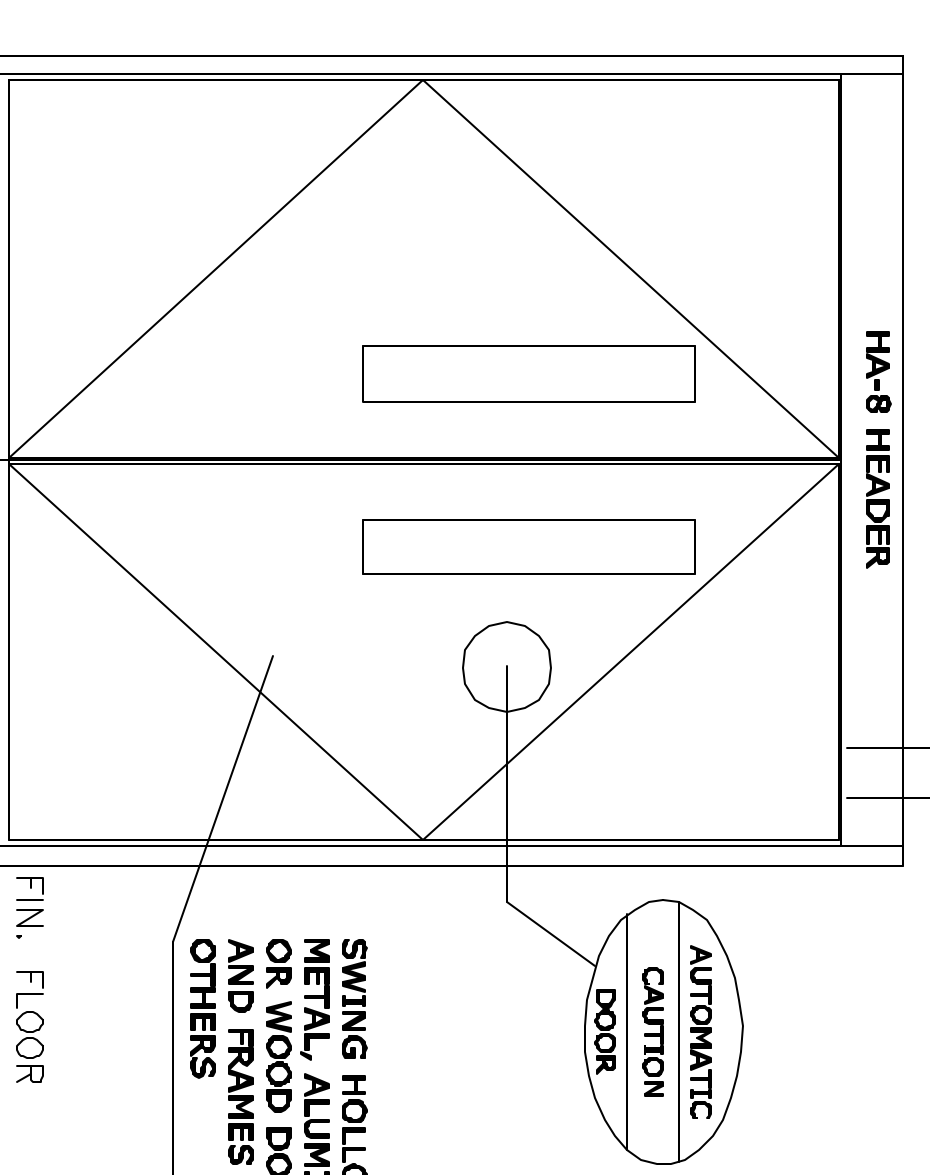
SHEET NO.



**NOTE:**  
 AUTOMATIC SWING DOOR OPERATOR SHALL BE "HA8" CETL USA APPROVED, CONFORMING TO UL STD. 325 & ANSI-BHNA STD. A156.19 CERTIFIED TO CAN. CSA STD. C22.2#247 AS MANUFACTURED BY HUNTER AUTOMATICS INC.  
 32" CLEAR OPENING REQUIRED TO MEET ADA REQUIREMENT.  
 STANDARD FINISH: CLEAR ANODIZE, DARK BRONZE, LIGHT BRONZE  
 SPECIAL FINISHES ARE AVAILABLE

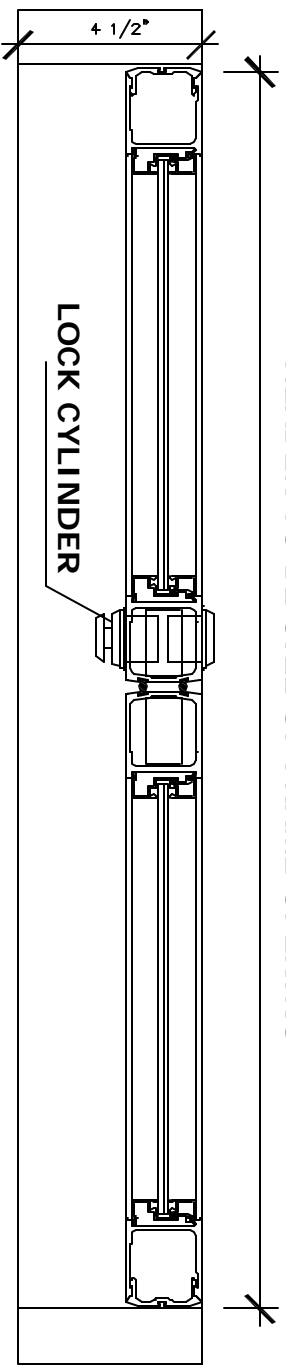
JOB NAME:	SHEET NO.
LOCATION:	P-10
DOOR NUMBER:	

120V AC, 60HZ, 15A.  
 BY ELEC. CONTRACTOR



**ELEVATION**

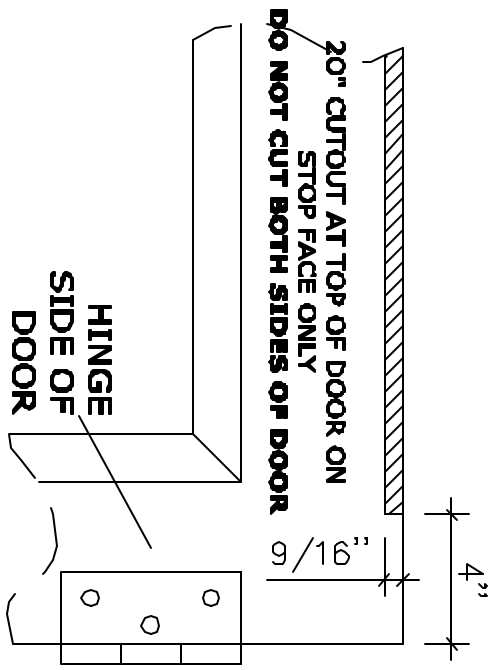
HEADER TO BE SIZE OF FRAME OPENING



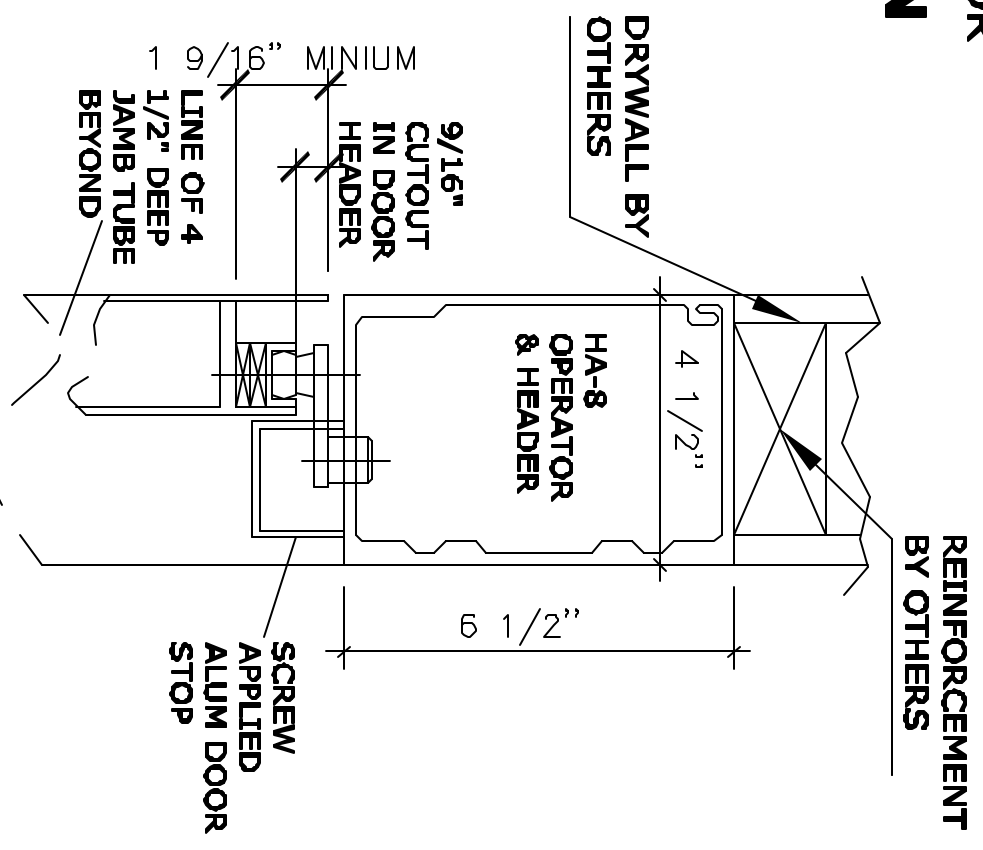
**HORIZONTAL SECTION**

INTERIOR

**ELEVATION OF DOOR**



**VERTICAL SECTION**



**NOTE:**  
 AUTOMATIC SWING DOOR OPERATOR SHALL BE "HA8" CETL USA APPROVED, CONFORMING TO UL STD. 325 & ANSI-BHNA STD. A156.19 CERTIFIED TO CAN. CSA STD. C22.2#247 AS MANUFACTURED BY HUNTER AUTOMATICS INC.  
 32" CLEAR OPENING REQUIRED TO MEET ADA REQUIREMENT.  
 STANDARD FINISH: CLEAR ANODIZE, DARK BRONZE, LIGHT BRONZE SPECIAL FINISHES ARE AVAILABLE

JOB NAME:	SHEET NO.
LOCATION:	P-12
DOOR NUMBER:	